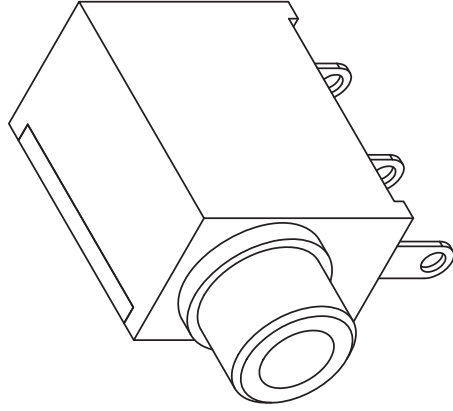
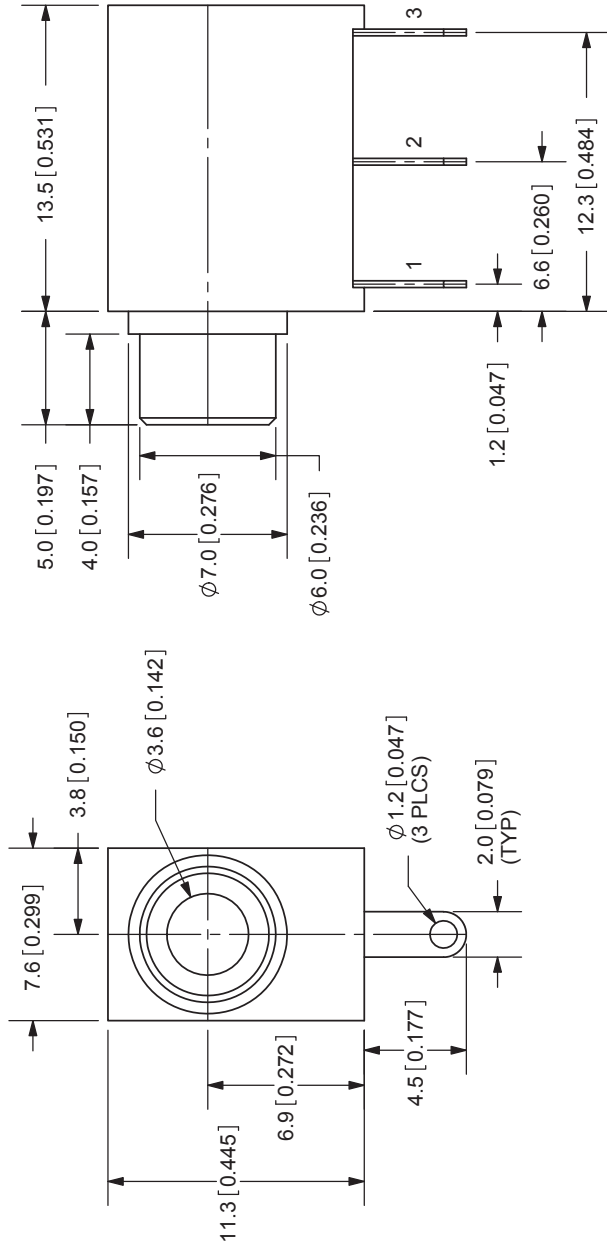


REV.	DESCRIPTION	DATE
A	NEW DRAWING	7/6/2007



TOLERANCE:  
±0.3mm UNLESS OTHERWISE  
SPECIFIED



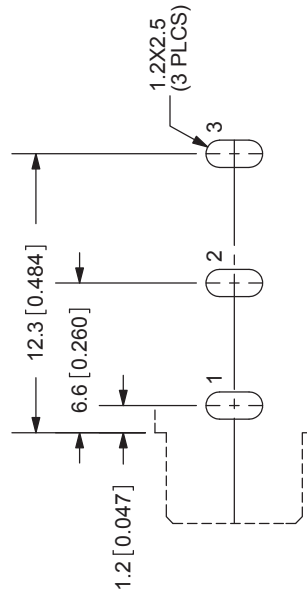
**CUI INC**

20050 SW 112th Ave.  
Tualatin, OR 97062  
Phone: 503-612-2300  
800-275-4899  
Fax: 503-612-2383  
Website: www.cui.com

**SPECIFICATIONS:**  
RATING: 12V DC @ 1A  
CONTACT RESISTANCE: 30m OHMS MAX  
INSULATION RESISTANCE: 100M OHMS MIN: 500V DC  
VOLTAGE WITHSTAND: 500V AC R.M.S. FOR 1 MINUTE  
LIFE: 5,000 CYCLES  
OPERATING TEMP: -20° ~ +85°C

TERMINAL	MATERIAL	PLATING
TERMINAL 1	Brass	Silver
TERMINAL 2	Phosphor Bronze	Silver
TERMINAL 3	Brass	Silver
BARREL	Brass	Nickel
HOUSING	POM	Black Color
COVER	PC	Transparent

PCB LAYOUT  
TOP VIEW



MODEL NO.	MJ-3502N
DIA.	NON-THREAD Ø6.0
SCHEMATIC	

TITLE:	3.5mm AUDIO JACK - MONO	REV:	A
PART NO:	MJ-3502N	UNITS:	MM [INCHES]
DRAWN BY:	ZRJ	APPROVED BY:	
		SCALE:	3:1